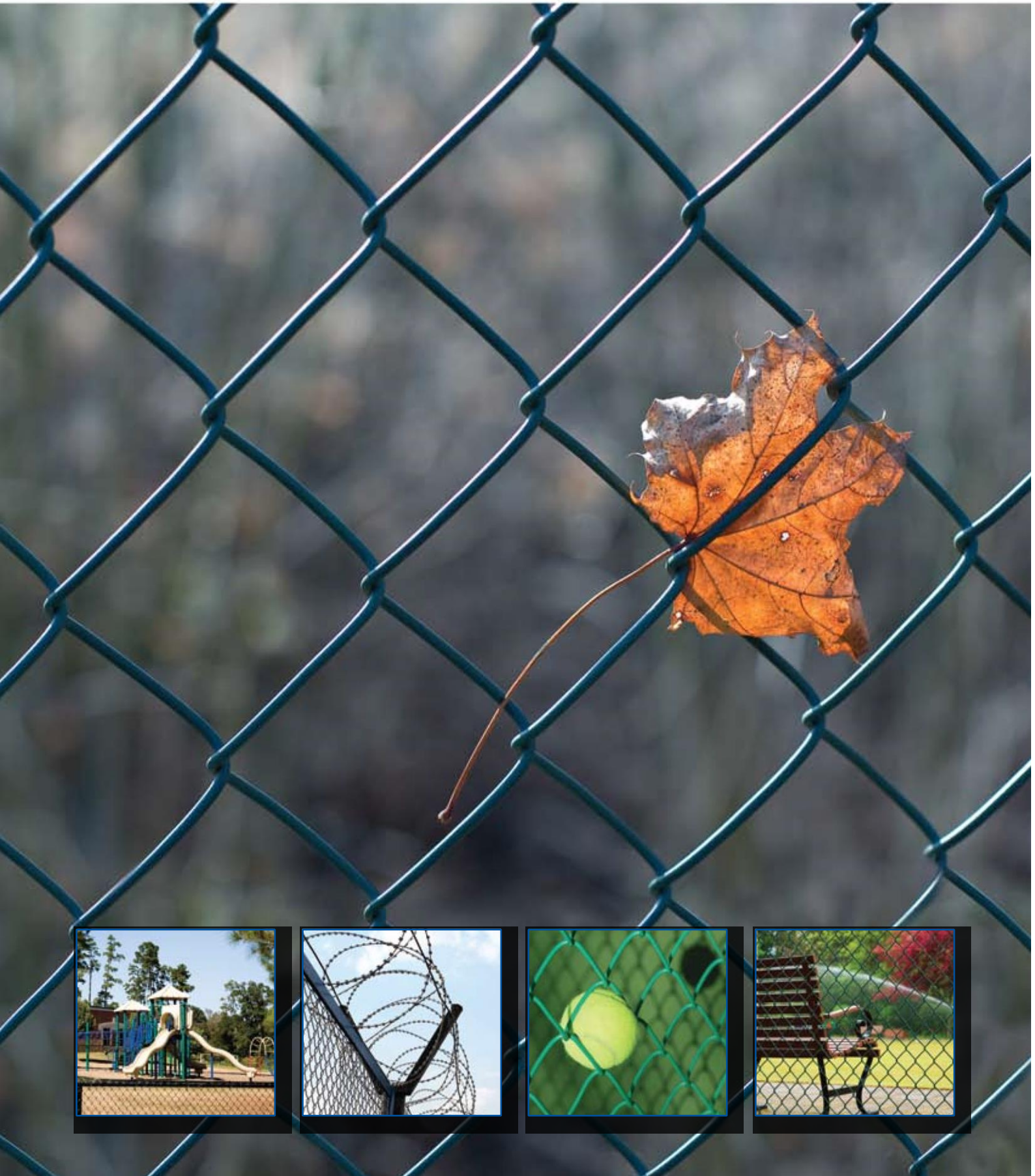


YKM Middle East LLC



YKM Middle East LLC

From humble beginnings in 2004 in a Dubai, U.A.E, YKM has grown and evolved to become the world leader in the manufacturing and distribution of complete fencing solutions. Starting as Security Fence originally producing a limited variety of chain-link, the company quickly grew by adding chain-link fabric to offer a complete wholesale-only source of chain-link products to contractors.

Over the next ten years, YKM Fence expanded operations to include branch offices in U.A.E. and a Chain Link fencing distributorship in Sharjah, Marmum, and Al Ain. In addition, they began to manufacture PVC coated chain-link fence fabric in Dubai, which was a logical addition to the expanding product line.

By the early 2014, YKM Fence started Fence & Wire, adding six service centres and one manufacturing plant specializing in galvanized & PVC chain-link fence fabric, and combined the names of the companies to create YKM Fence. Because customers wanted an even wider variety of fence systems and related materials, ornamental iron and PVC fencing were added to the expanding product line, making YKM a one-stop source for complete fencing solutions.

In 2004, YKM established itself as an international distributor with the creation of YKM Middle East LLC in U.A.E. with six locations to efficiently serve U.A.E. customers.

Today, YKM continues to grow, combining advances in technology and automation with new branch locations to better serve local fencing markets across the nation, earning their place as the premier source for complete Fencing system.

Founded on the principles of quality and value, distribution excellence and dedicated customer support, YKM has set the industry standard for world class fencing solutions.

Chain-Link Fencing... Economical, versatile, durable and secure



YKM Middle East LLC

Galvanized Chain-Link... made to be versatile

Galvanized hot-dipped zinc coating is the most popular and inexpensive method for protecting chain-link fence systems. Preferred for decades to define property lines and protect property, galvanized chain-link offers a versatile fencing solution that will provide years of maintenance-free protection.

Security



Highway



Commercial



Galvanized Fencing System

All steel components are hot-dip zinc coated

Galvanized After Weaving (GAW)

This process forms or weaves chain-link into a fabric first, and then soaks it in a large galvanized bath which adheres the zinc coating. This ensures that all the wire is coated, even the cut ends created during the weaving process.



Galvanized Before Weaving (GBW)

In this process, the wire is pre-galvanized before it is formed into a fabric. The weaving process creates an exposed cut end that will lack coating and be more apt to some minor rust in wet and severe weather conditions.



Chain-Link Fencing... Economical, versatile, durable and secure



YKM Middle East LLC



Residential



Schools



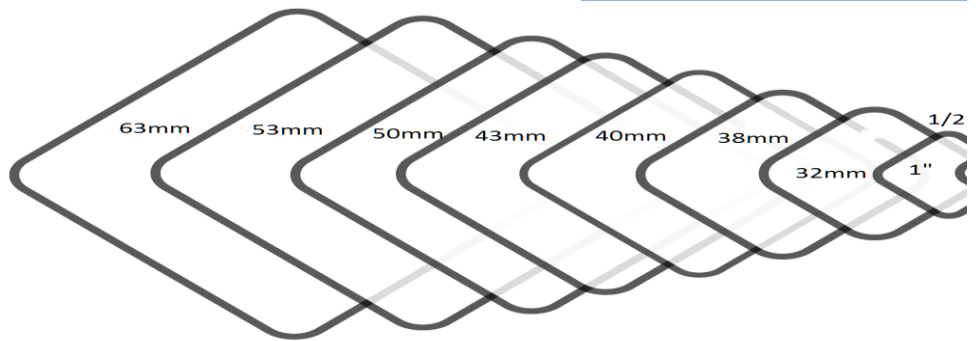
Construction



Available Wire Gauges:

| GI | SS |
|--------|--------|
| 1.5mm | 1.5mm |
| 1.6mm | 1.6mm |
| 1.8mm | 1.8mm |
| 2.00mm | 2.00mm |
| 2.50mm | 2.50mm |
| 3.00mm | 3.00mm |
| 3.55mm | 3.55mm |
| 4.00mm | 4.00mm |
| 4.50mm | 4.50mm |
| 4.88mm | |
| 5.00mm | |

Available Mesh Sizes



Chain-Link Fencing... Economical, versatile, durable and secure



YKM Middle East LLC

YKM is the latest generation of Chain link fence like Residential, commercial and industrial chain-link fence system. It provides the corrosion protection of zinc, with the durability and attractive appearance of a coloured polyester framework and extruded PVC fabric, to ensure years of attractive and reliable performance that blends in beautifully with the environment

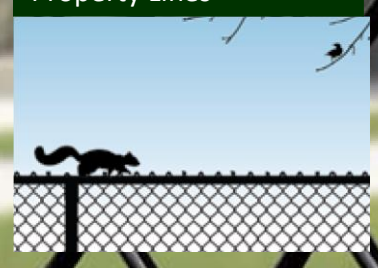
Pets Fence



Parks



Property Lines



Chain-Link Fencing... Economical, versatile, durable and secure

YKM Fencing System Features and Benefits:

- Zinc-coated steel framework is thoroughly cleaned during the pre-treatment process, then colour coated with a 3 mil minimum polyester layer for dual protection from corrosion.
- All galvanized wire has a 15 mil minimum extruded polyvinyl chloride coating for dual protection from corrosion and the elements.
- Fittings are made of galvanized steel with a 6 mil minimum of polymer coating for added protection.
- Components are treated with both zinc and an electrostatically applied colour coating

YKM Middle East LLC



Residential



Schools



Privacy Fencing



Available Colors

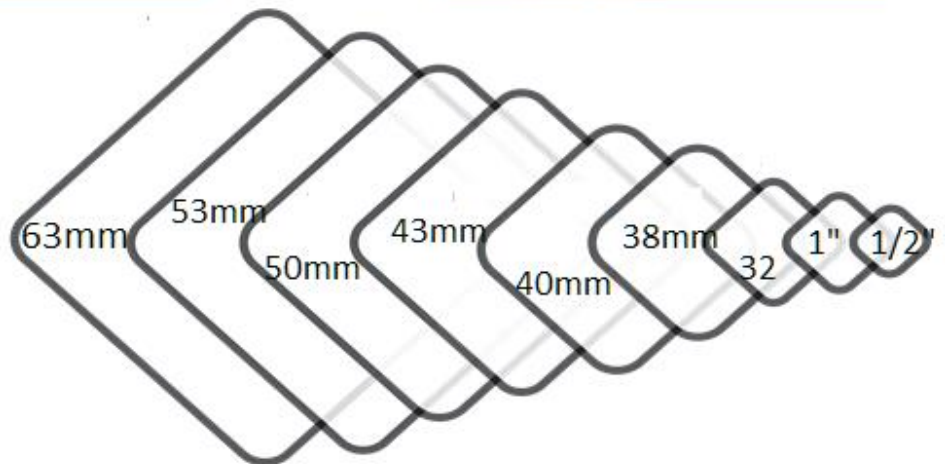


Available Wire

The gauges available are:



Available Mesh Sizes



YKM Middle East LLC

YKM II, the next generation in colour chain-link fence systems, offers unparalleled performance over ordinary systems, featuring a heavy mill coating that offers superior protection. Its outstanding resistance to ultra violet light and corrosive environments prevents premature fading and decay. It is an ideal choice for commercial applications that need the security of a chain-link fence system and an appearance that blends in beautifully with the environment.

Golf Courses



Perimeter Fence



Tennis Courts



Our Fencing System

YKM offers the highest quality products with unmatched reliability.

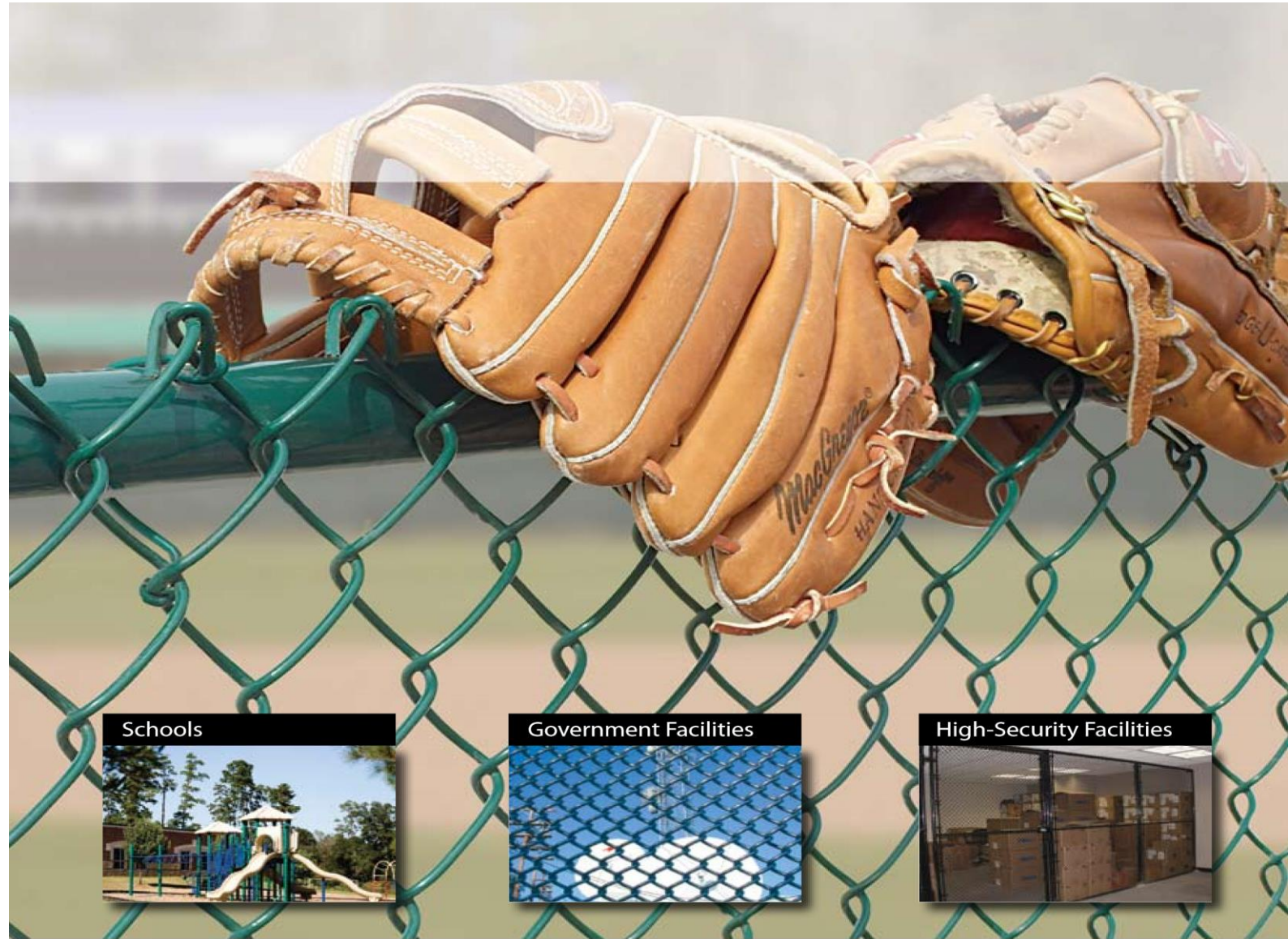
Features and Benefits:

- Outstanding performance in highly corrosive environments provides years of protection.
- High impact resistance reduces the chance of damage during product handling and installation.
- Exceptional resistance to ultra violet light prevents premature fading.
- Extreme flexibility reduces susceptibility to cracking and chipping, even in changing weather conditions.
- One of the best colour chain-link fence systems available.

Chain-Link Fencing... Economical, versatile, durable and secure



YKM Middle East LLC



Available Colors

Choose from 3 standard and 2 special order Permafused II colors that will enhance any installation and blend in beautifully with any environment.

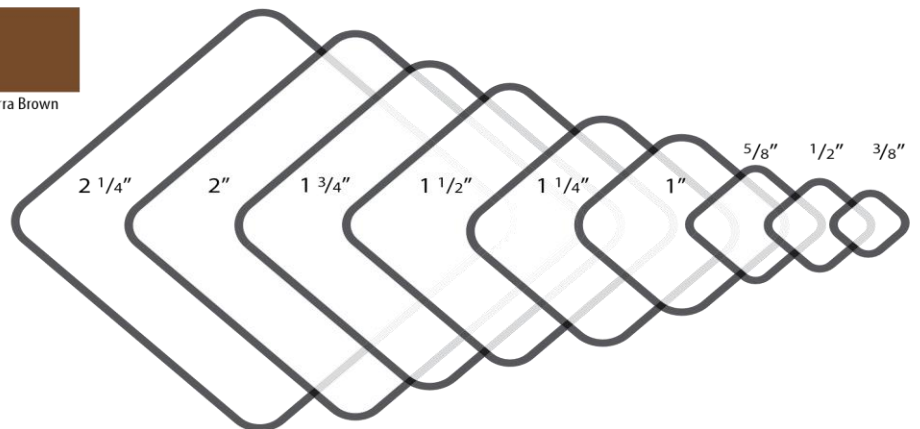


Available Wire Gauges (Finish)

The gauges available are:



Available Mesh Sizes



Chain-Link Fencing... Economical, versatile, durable and secure



YKM Middle East LLC

GI Razor Wire:

Sizes:

| Dia in Meter | Length in Meter |
|--------------|-----------------|
| 0.5M | 10 M |
| 0.75M | 10M |
| 1M | 10M |

GI Barbed Wire:

Sizes:

| Weight in KG | Length in Meter |
|--------------|-----------------|
| 20kg | 220M |
| 10kg | 90M |

PVC Barbed Wire

20Kg-245Meter

Chain-Link Fencing... Economical, versatile, durable and secure



YKM Middle East LLC



We are using latest technology and machinery. The whole machinery belongs to Japan. Only YKM have capability to produce chain link fence up to 6M in U.A.E. Our team continuously working with customer's requirement to give the best solution with best quality.

Chain-Link Fencing... Economical, versatile, durable and secure



YKM Middle East LLC

Accessories, Framework & Fittings... for a complete fencing solution

Kennels



High Security



Accessories



Temporary Panels



Gates



Privacy Slats



YKM is dedicated to providing a complete range of products for every fencing application. From temporary fencing to high security accessories, and automated gate systems to privacy screening, you'll find a solution that will fit any specific requirement for commercial or residential jobs. All products are constructed to the highest quality standards to deliver optimum performance and ensure efficient installation.

Chain-Link Fencing... Economical, versatile, durable and secure



YKM Middle East LLC

YKM Middle East LLC

Head Office: Store#1-2, Industrial Area 11, Sharjah, U.A.E.

Dubai Dragon Mart: Shop# EBC-01-02,

Shop# EBA-18-20,

Shop# EAA -21-23

Al Lisaili: Shop#81-82, Marmum, Camel Market, Dubai, U.A.E.

Al Ain: Shop# 2, Building#28, Al Ain Sanaiya, U.A.E.

Contact: 06 535 5899, 04 368 7025, 04 832 5555, 3 755 2250

M:+971 50 181 7739

Email: sales@ykmgroup.com

www.ykmgroup.com

Chain-Link Fencing... Economical, versatile, durable and secure

